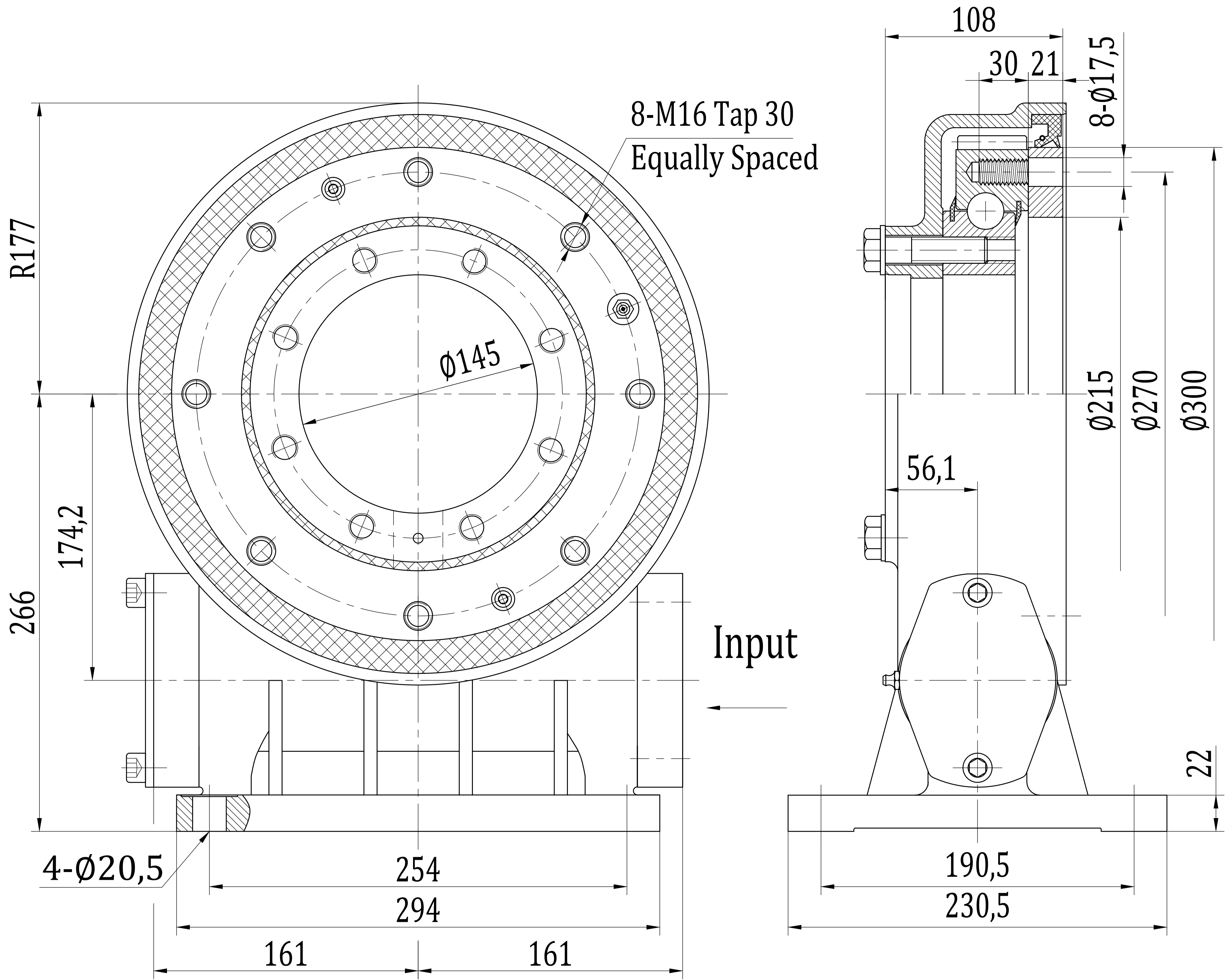


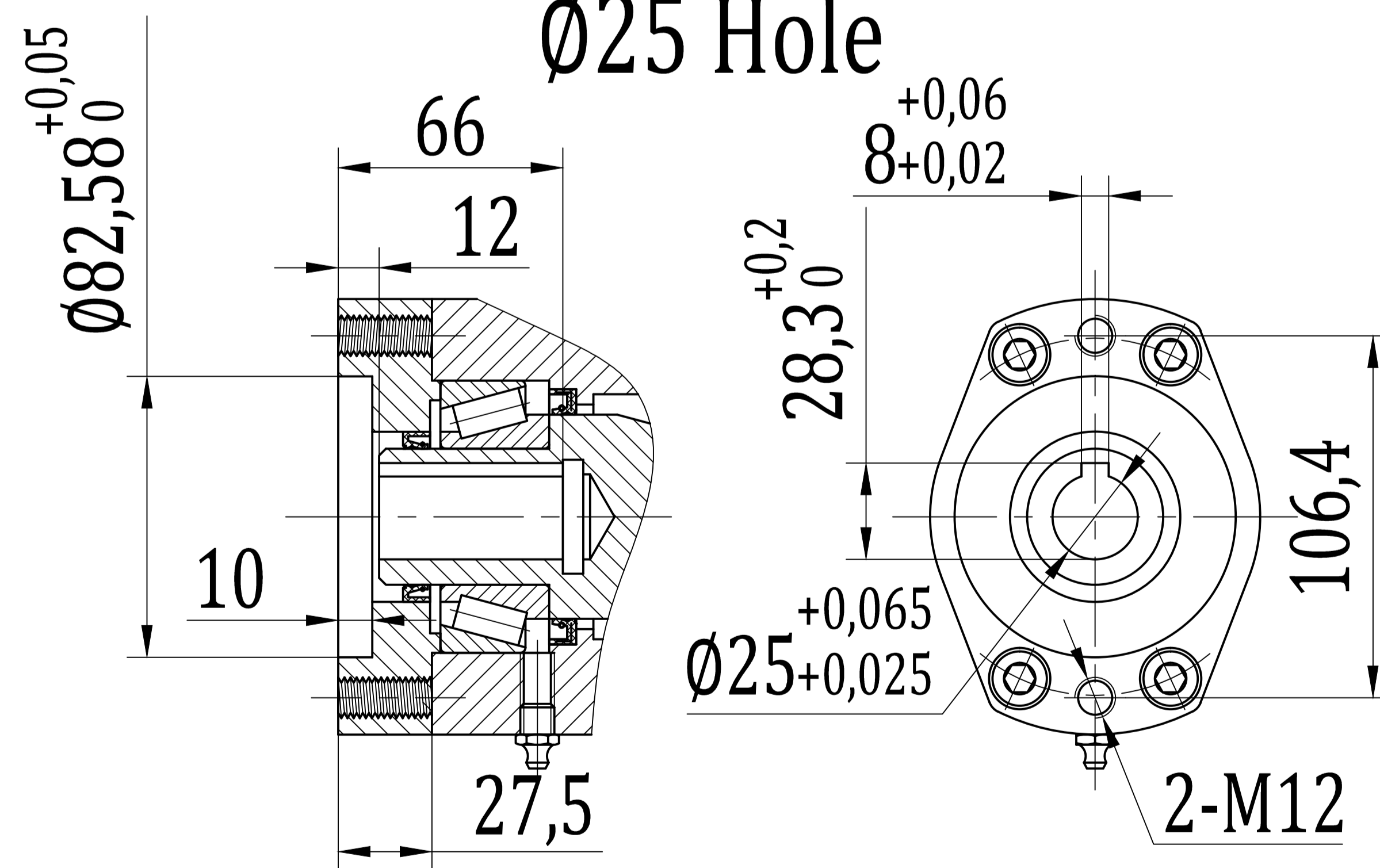
CORE SUN

VH9



Input  
Ø25 Hole

58 kg



Slew Drive Performance Parameters

VH9	6,5 kN.m	12 kN.m	12 kN.m	338 kN	120 kN	81 kN	61 kN	61 : 1	$\leq 0,17^\circ$ $C: \leq 0,09^\circ$ $B: \leq 0,07^\circ$ $A: \leq 0,05^\circ$	40%
	Output Torque	Tilting Moment Torque	Holding Torque	Static Axial Rating	Static Radial Rating	Dynamic Axial Rating	Dynamic Radial Rating	Gear Ratio	Precision	Efficiency