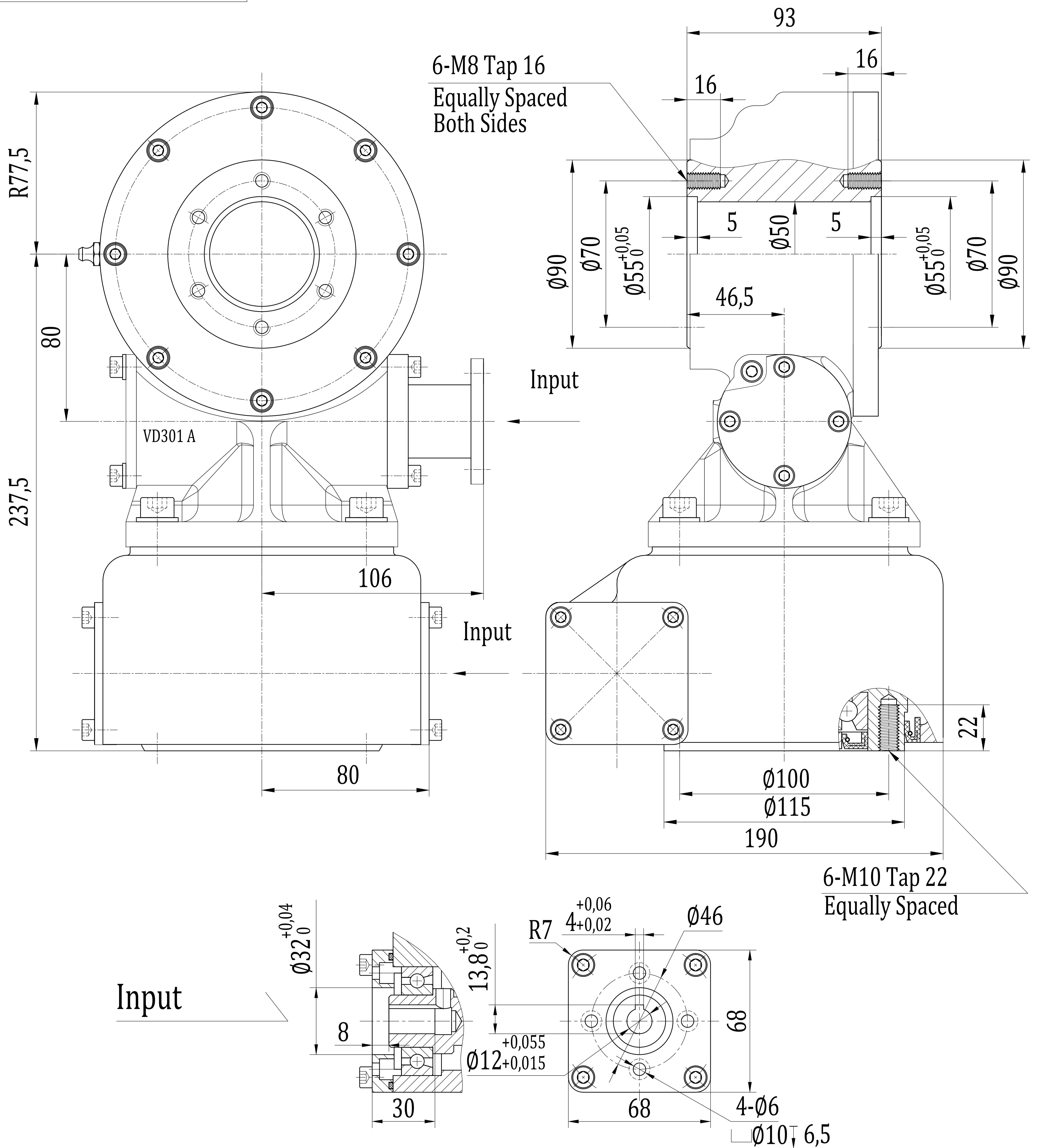


CORE SUN

VH3



Sleew Drive Performance Parameters

VH3	400 N.m	1100 N.m	2000 N.m	30 kN	16,6 kN	9,6 kN	8,4 kN	62 : 1	$\leq 0,2^\circ$ $C: \leq 0,15^\circ$ $B: \leq 0,12^\circ$ $A: \leq 0,08^\circ$	30%
	Output Torque	Tilting Moment Torque	Holding Torque	Static Axial Rating	Static Radial Rating	Dynamic Axial Rating	Dynamic Radial Rating	Gear Ratio	Precision	Efficiency