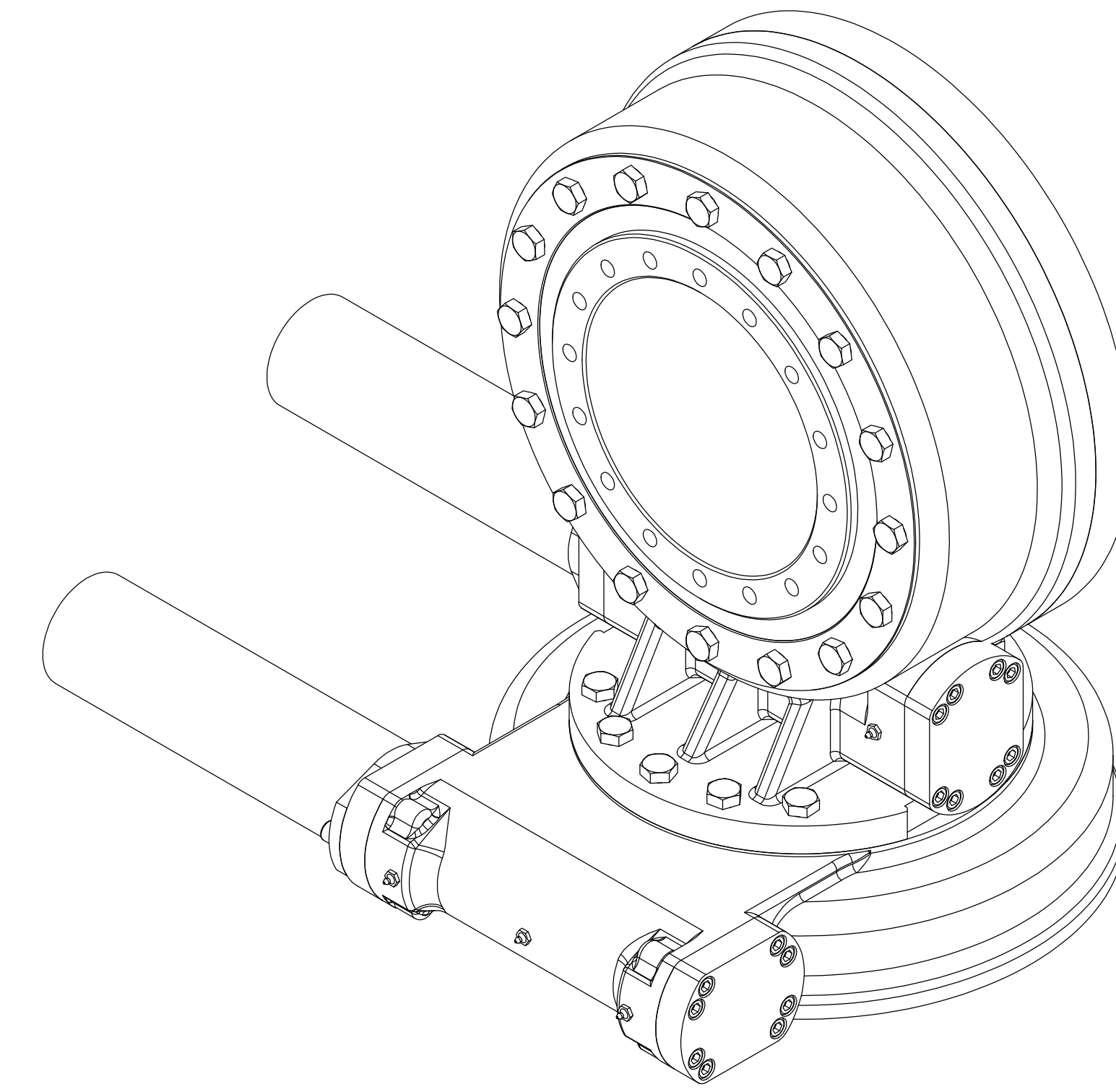
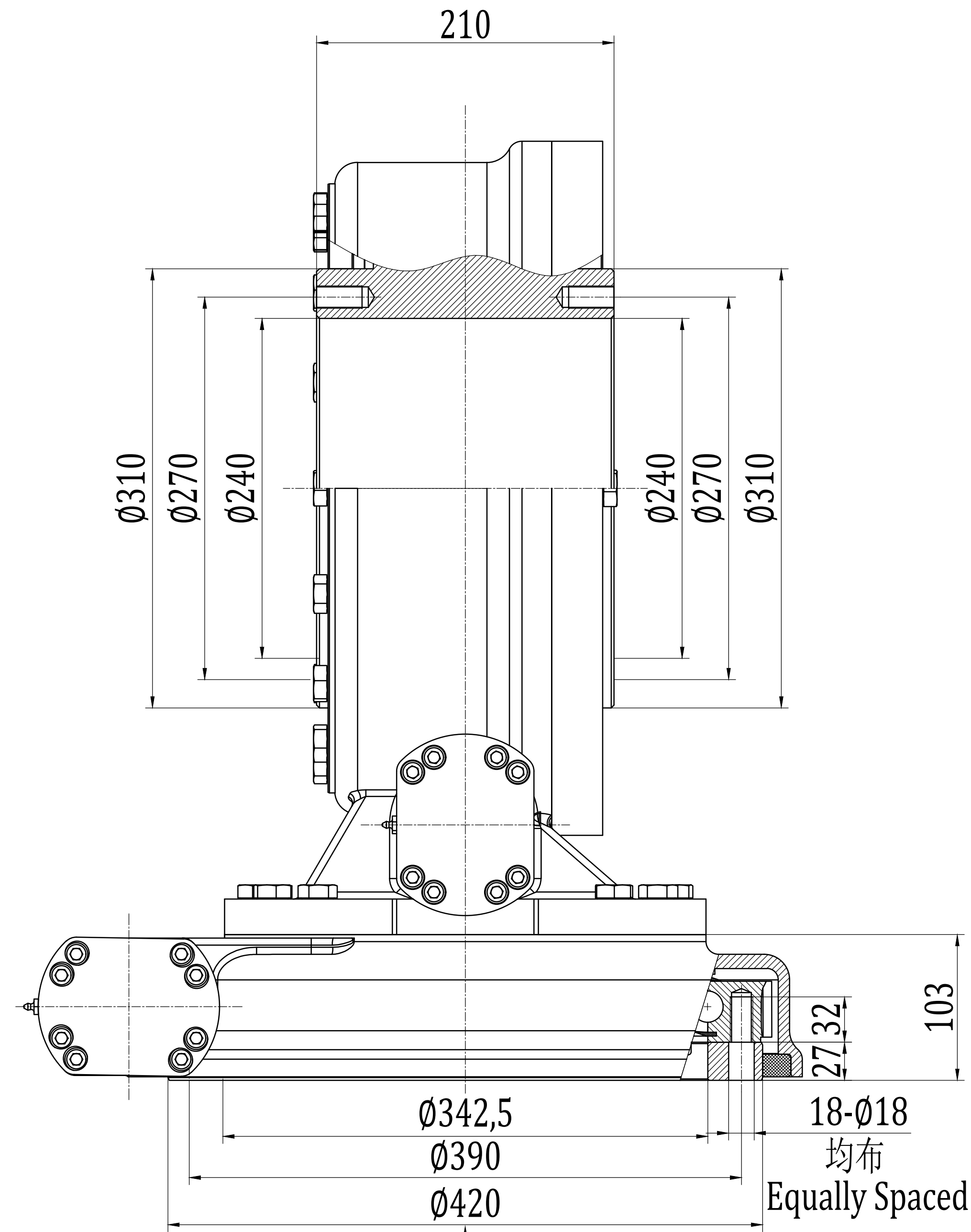
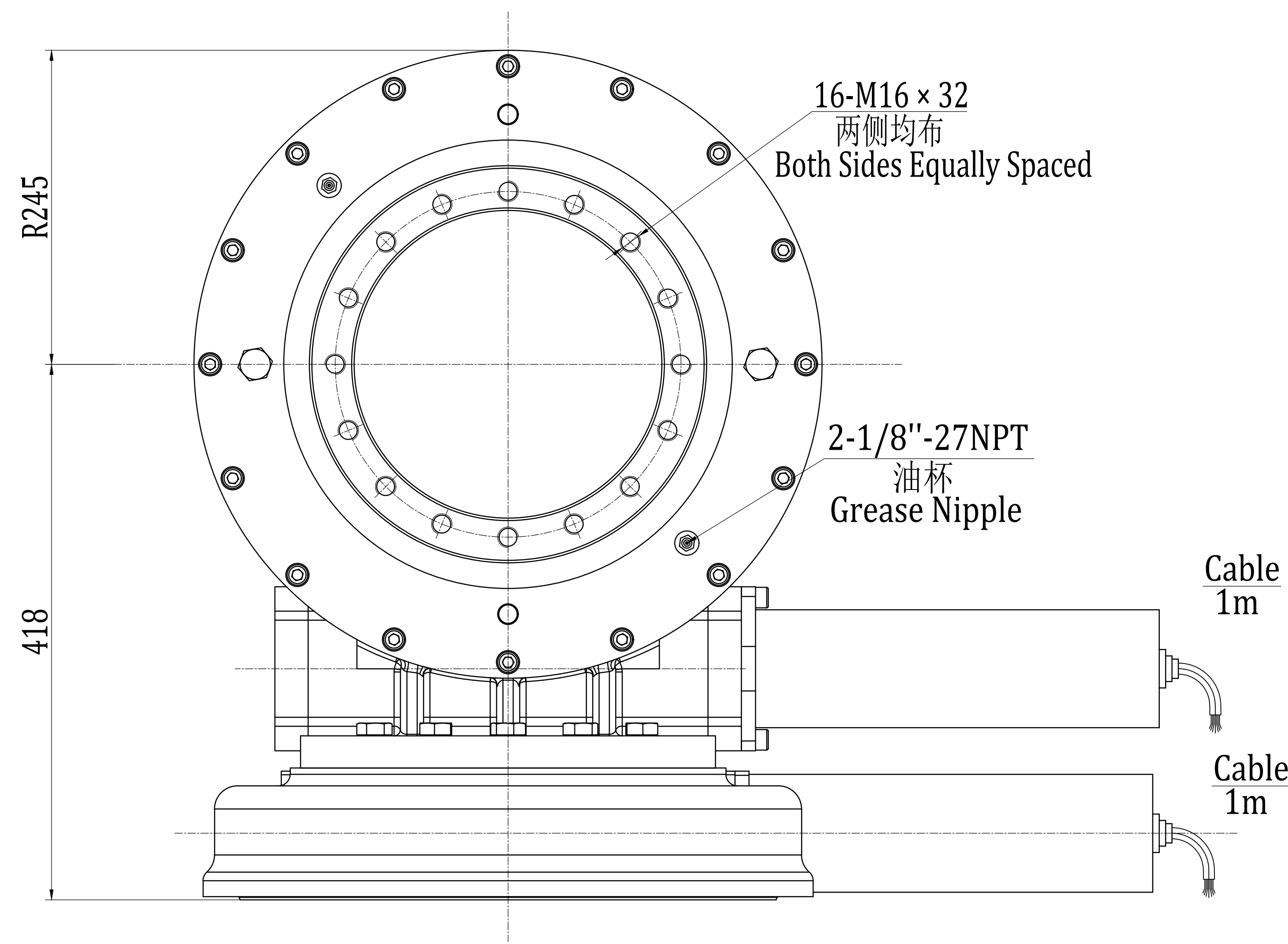
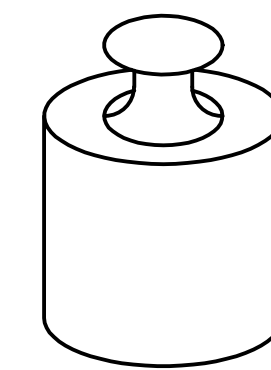
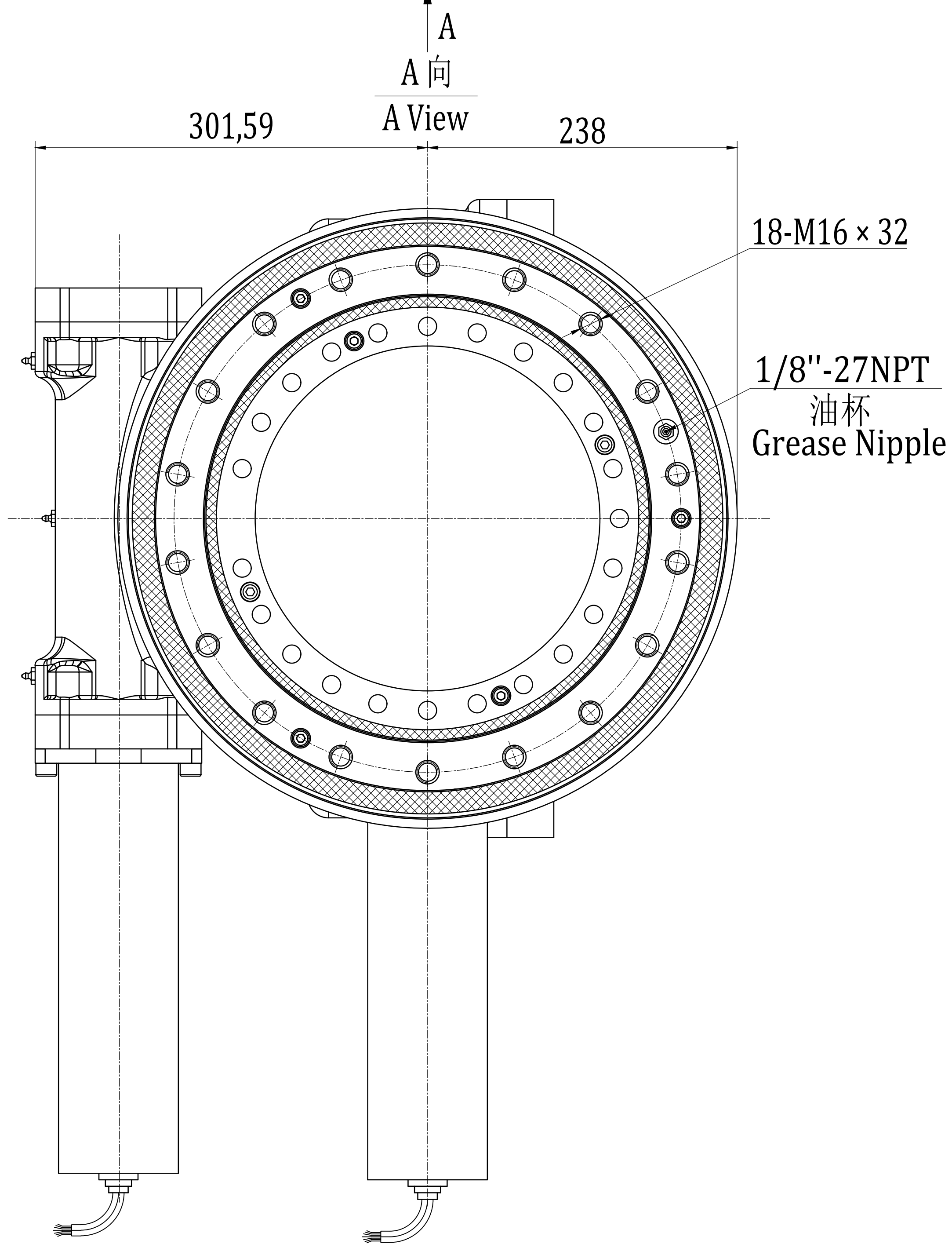
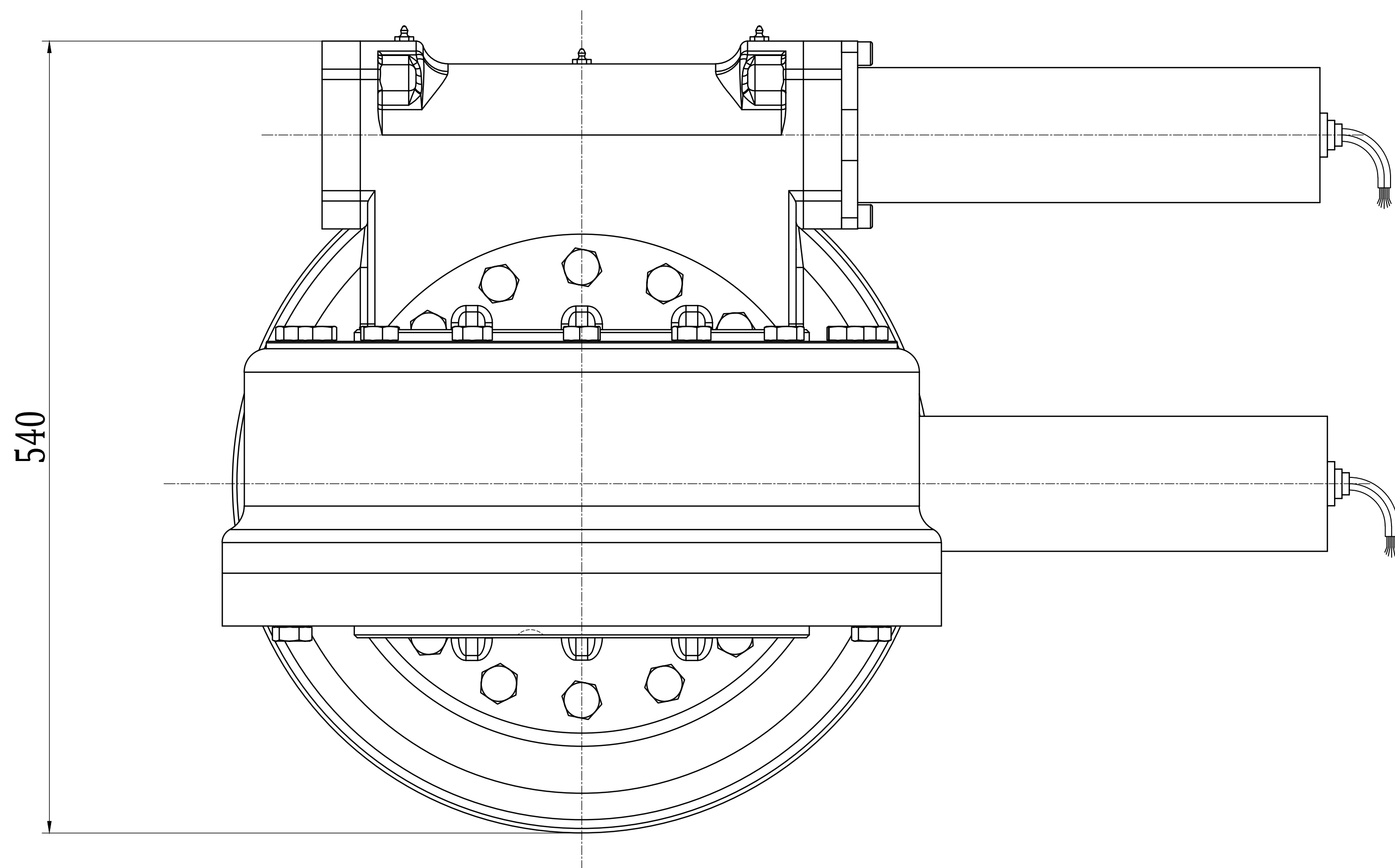


单位 Units: mm  
1 inch=25.4mm



 256 kg



接线定义  
Wire define

Pin 1 (黑 Black)	motor -
Pin 2 (红 Red)	motor +
Pin 3 (黄 Yellow)	Hall -
Pin 4 (棕 Brown)	Hall +
Pin 5 (蓝 Blue)	Hall A
Pin 6 (绿 Green)	Hall B
Pin E (灰 Grey)	GND



SVH14

回转驱动 Slewing Drive