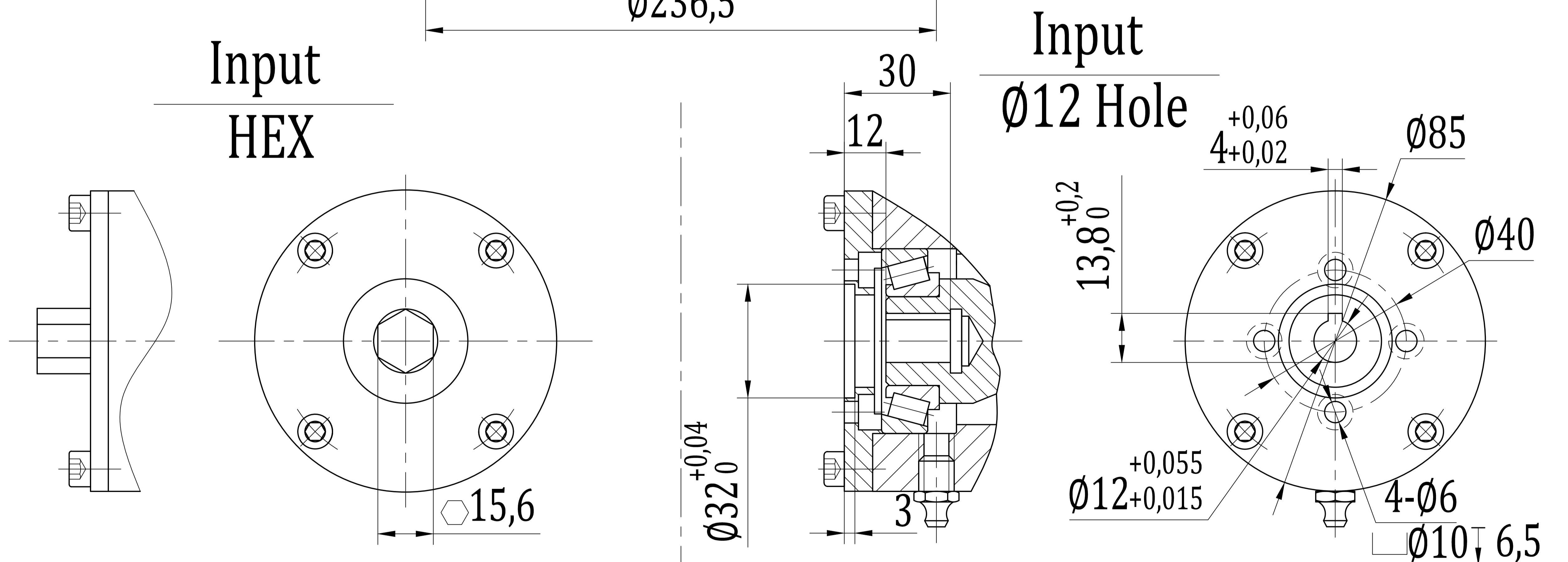
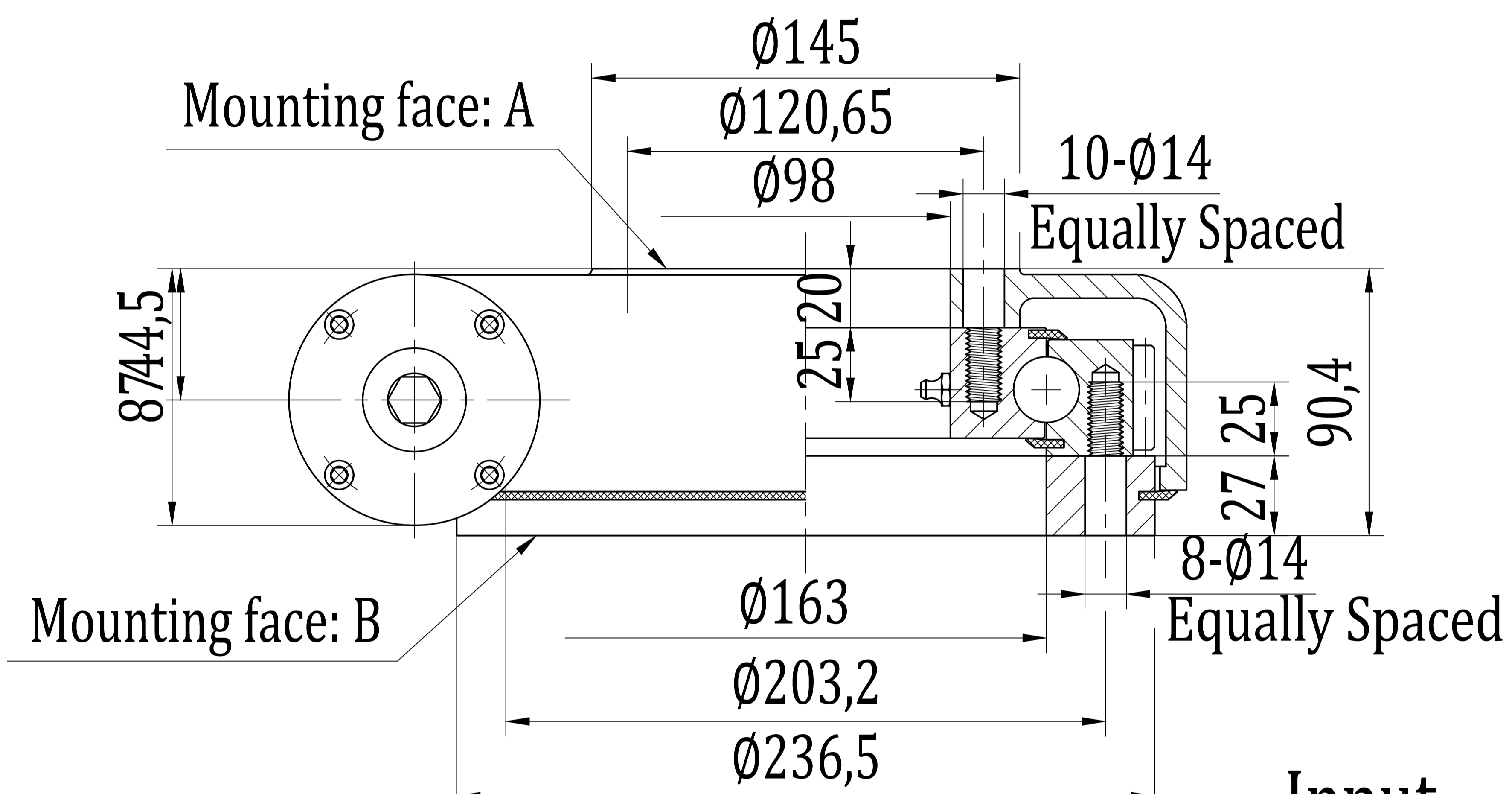
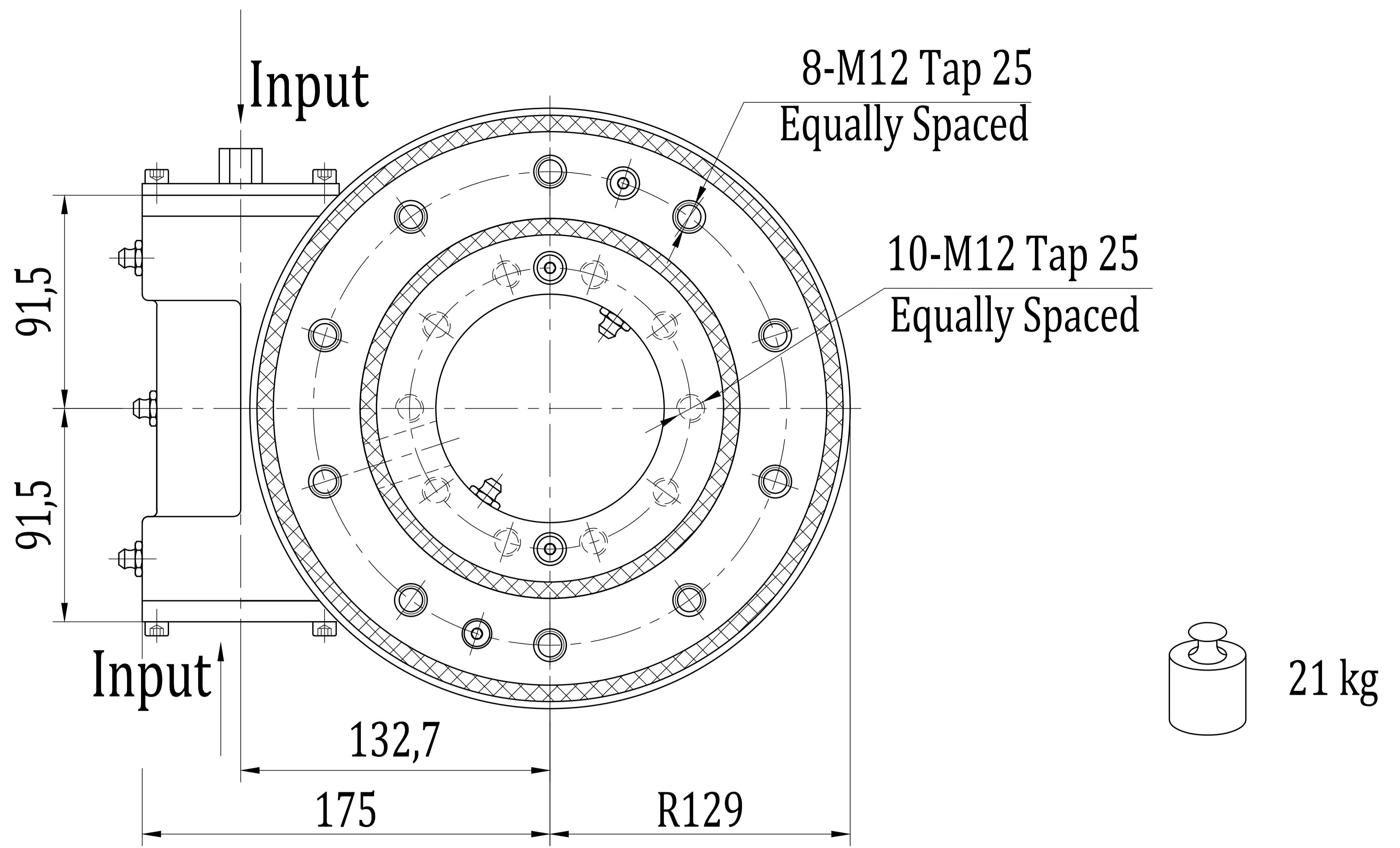


CORE SUN

SC7



Slew Drive Performance Parameters

SC7	1500 N.m	13500 N.m	10400 N.m	133 kN	53 kN	32 kN	28 kN	73 : 1	$\leq 0,2^\circ$ $C: \leq 0,11^\circ$ $B: \leq 0,07^\circ$ $A: \leq 0,05^\circ$	30%
	Output Torque	Tilting Moment Torque	Holding Torque	Static Axial Rating	Static Radial Rating	Dynamic Axial Rating	Dynamic Radial Rating	Gear Ratio	Precision	Efficiency