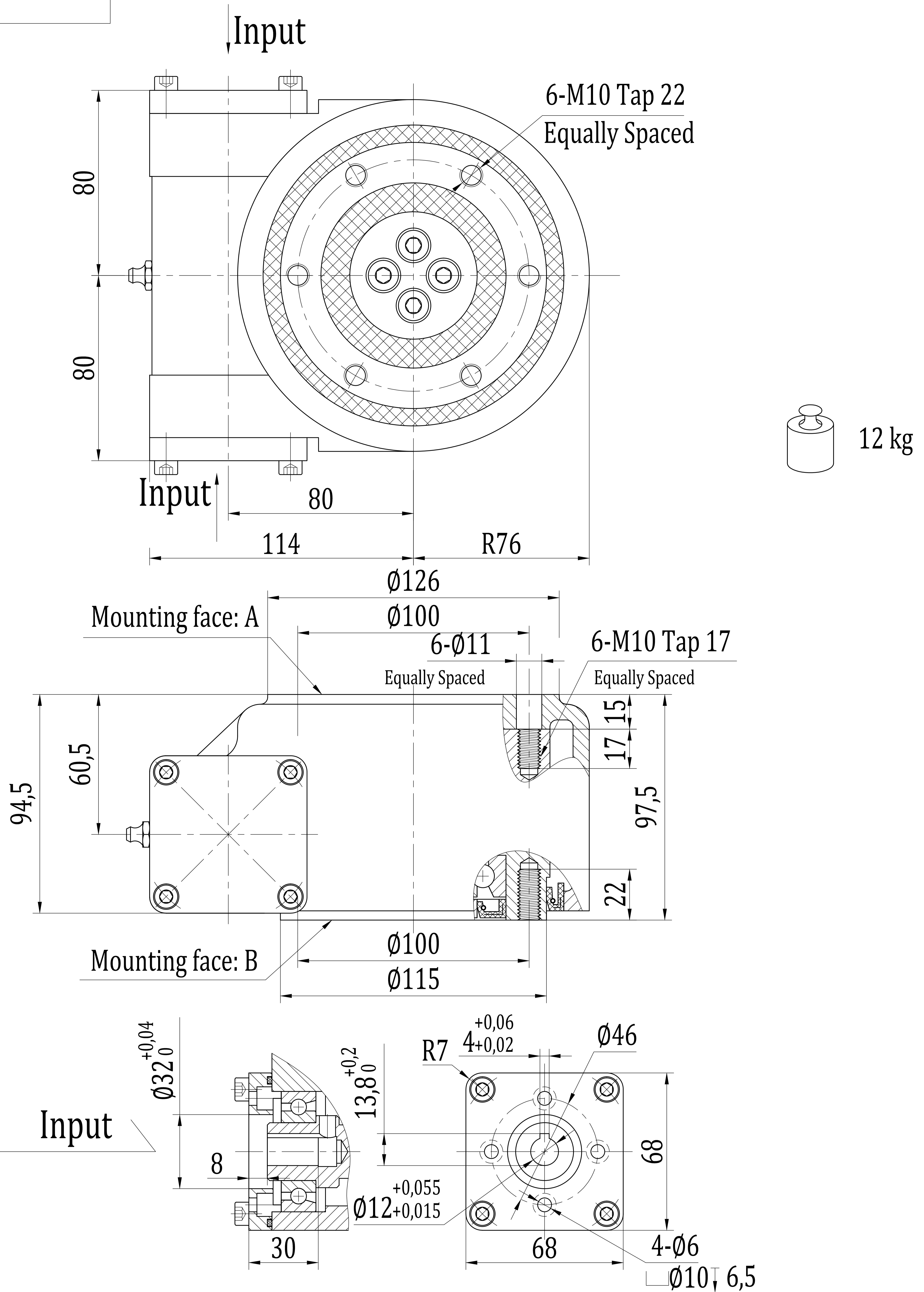


CORE SUN

SC3



Sleew Drive Performance Parameters

SC3	400 N.m	1100 N.m	2000 N.m	30 kN	16,6 kN	9,6 kN	8,4 kN	62 : 1	$\leq 0,2^\circ$ C: $\leq 0,15^\circ$ B: $\leq 0,12^\circ$ A: $\leq 0,08^\circ$	30%
	Output Torque	Tilting Moment Torque	Holding Torque	Static Axial Rating	Static Radial Rating	Dynamic Axial Rating	Dynamic Radial Rating	Gear Ratio	Precision	Efficiency